

# All-Turn-It® Spinner

## Product Manual



AbleNet®

---

## Introduction

The All-Turn-It® Spinner allows children and adults with differing abilities to participate in a variety of interactive games. This package includes a dice overlay set and separate instructions for play with numerous games and activities including commercially-available board games. Additional All-Turn-It Spinner game packages are available from AbleNet, Inc. at [www.ablenetinc.com](http://www.ablenetinc.com) or by phone at 800-322-0956 (U.S. & Canada).

### The All-Turn-It Spinner components (see Figure 1):

- Spinner housing with built-in switch and external switch jack.
- Large Overlay
- Small Overlay
- Spinner post and arrow
- 7-inch removable clear plastic disc (covers small overlay and arrow)
- Requires two C batteries (not included)
- One dry-erase marker (not shown)

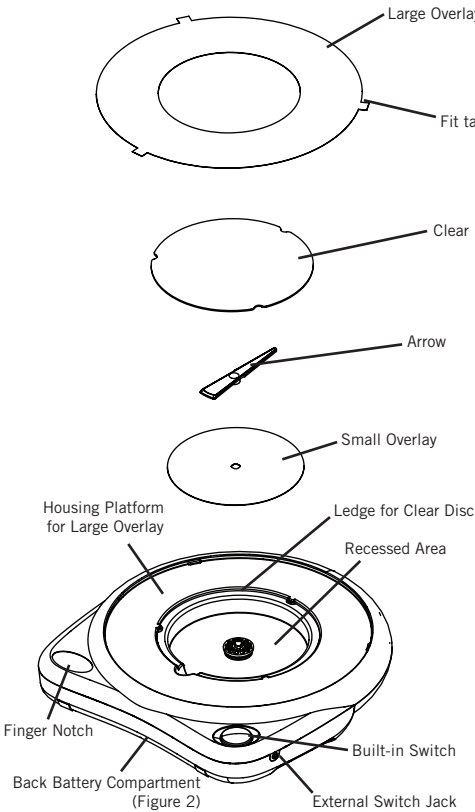


Figure 1.

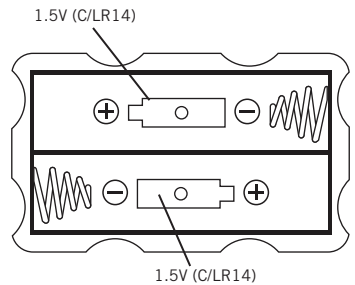


Figure 2.

## Accessing the Battery Compartment Back Panel Door

1. Remove screw from back panel door.
2. Insert two C batteries into the battery compartment.
3. Replace the back panel door and screw.

*\*Note: Do not mix old and new batteries, rechargeable and non-rechargeable batteries, or alkaline and non-alkaline batteries. Non-rechargeable batteries are not to be recharged. Exhausted batteries are to be removed from the product. The supply terminals are not to be short-circuited. Rechargeable batteries are to be removed from the product before being charge. Rechargeable batteries are only to be charged under adult supervision.*

## Positioning the Overlays

1. Remove the Clear Plastic Disc and Arrow.
2. Place the small overlay over the plastic spinner wheel.  
Make sure the small overlay is firmly in place by fitting the square cutout at the center of the overlay over the square portion of the spinner wheel.
3. Replace the Arrow and Clear Plastic Disc.
4. Place the large overlay on the device, aligning the three tabs into their corresponding slots.

*\*Note: When using the large overlay alone, use the blank side of the small overlay to provide contrast against the spinner arrow.*

## Activating the All-Turn-It Spinner

Players spin the arrow and small overlay by activating the built-in switch or an external switch plugged into the switch jack on the side of the device.

## Using an External Switch

Use an external switch with players who have difficulty accessing the built-in switch. An external switch can also be used for better accessibility when there are multiple players. The switch can be moved to each player while the device stays in one spot.

1. Insert a switch with a 1/8-inch (3.5mm) plug into the switch jack located on the side of the device.
2. Activate the external switch to spin the arrow and small overlay.

*Important Note: The arrow spins for a brief, factory preset, time period of less than ten seconds. Activating the switch repeatedly in rapid succession, or “laying” on the switch will not impact the outcome of a player’s spin. In addition, once the arrow stops spinning, there is a slight delay time, during which, additional switch activations will not cause the arrow to spin. This ensures that players have time to read the outcome of their spin.*

## Using Wireless Switch Control

(Jelly Beamer™ receiver and transmitter not included)

To install receiver:

1. Remove screws from back panel.
2. Open back panel.
3. Plug cord of wireless receiver in to internal switch jack.
4. Place wireless receiver in the space provided model form.
5. Close back panel. Replace screw in back panel.  
See instructions for wireless receiver and Jelly Beamer Twist or Big Beamer® for wireless instructions.

## Using the Stand

Pull out legs from back of All-Turn-It® Spinner to place in upright position.

## Troubleshooting Tips

If the All-Turn-It Spinner fails to operate properly, check the following:

1. Make sure the batteries are properly positioned: the positive (+) and negative (-) ends are aligned with those in the battery compartment.
2. Make sure both ends of the batteries are touching the metal contacts in the battery compartment, and that the batteries being used have a full charge.
3. Make sure the small overlay is properly aligned on the spinner post and that the arrow is pushed down as far as it will go.
4. Be sure no obstructions are present which would prevent proper placement or operation of the arrow and spinner post.

*Note: If you are experiencing any of the following, your batteries may be low: a decrease in the speed or duration of spins.  
an increase in the amount of time you need to wait between activations.*

## Guarantee

AbleNet offers a 30-day money-back guarantee if our products do not meet your expectations. Products must be in new condition to honor this service. Contact AbleNet or an authorized reseller before returning a product.

## Warranty/Repair/Return Information

AbleNet offers a limited two-year warranty on products. For full warranty details, visit [www.ablenetinc.com](http://www.ablenetinc.com).

### For more information on AbleNet products and services:

AbleNet, Inc., Minneapolis/St. Paul, MN

800-322-0956 (US & Canada)

Internet: [www.ablenetinc.com](http://www.ablenetinc.com)

© 2012 AbleNet, Inc., All Rights Reserved



**WARNING:**  
**CHOKING HAZARD** - Small parts.  
Not for children under 3 years.

# Instructions for Using the Dice Overlay Set

---



## The Dice Overlay

Two dice overlays make up your set: a large donut-shaped overlay and a small circular overlay. Each overlay contains six segments representing the six sides of a die. Used together, the two overlays are the same as shaking a single die. The game or activity you are playing will determine whether you use one or both dice overlays.

## The Blank Overlay

The reverse side of each dice overlay is blank. Refer to the sections on Matching Games, Trivia Games, and Other Activities for ideas about how to create your own games for fun and learning.

The surface of the blank overlay is a high-gloss write-on/wipe-off surface. If you use a dry-erase marker to make your “final” overlay, you may write or draw directly on the overlay. Dry-erase colored markers add interest and can be wiped off with a damp cloth at the end of the game. You may also attach pictures, cards, photos or other lightweight objects to the overlays with double-sided tape or small pieces of reusable adhesive. Peel-off stickers and symbols create professional looking overlays.

## What You Need to Play a Game

The All-Turn-It® Spinner can be used as a simple alternative for shaking dice or selecting a random number. To play, you will need the game of your choice and the All-Turn-It Spinner with the dice overlay. If you are playing a game that requires two dice or randomly selected numbers between 1 and 12, use both the large and the small dice overlays. If you only need to simulate the roll of a single die or generate a random number between 1 and 6, you may use either the large or small dice overlay.

### Play with Commercial Games

The dice overlay set can be used with a wide variety of commercially-available board games that require one die, two dice, or a spinner. Table 1 is a partial list of common board games which use dice or spinners.

Game	Number of Dice Required
Backgammon	2 dice
Clue® by Parker Brothers	1 die
Life® by Milton Bradley	10 location spinner (use 2 dice to simulate)
Monopoly® by Parker Brothers	2 dice
Parcheesi® by Milton Bradley	2 dice
PayDay® by Parker Brothers	1 die
Sorry® by Parker Brothers	2 dice
Trivial Pursuit® by Parker Brothers	1 die
Trouble® by Milton Bradley	2 dice
Yahtzee® by Milton Bradley	5 dice (3 spins equal 1 turn)

Table 1. Examples of commercially-available games and the number of dice used.

There are also a variety of commercially-available games where color or picture matching determines a player's move. Many of these games are easy to play using the All-Turn-It Spinner and a "create-your-own" overlay. Here are two examples:

## Candyland® Game

Playing this game requires the separate purchase of Candyland by Milton Bradley.

Separate and shuffle the 12 double color-block cards, six picture game cards, and the six single color-block game cards that come with the Candyland game. Place the cards on the spinner platform according to the diagram below:

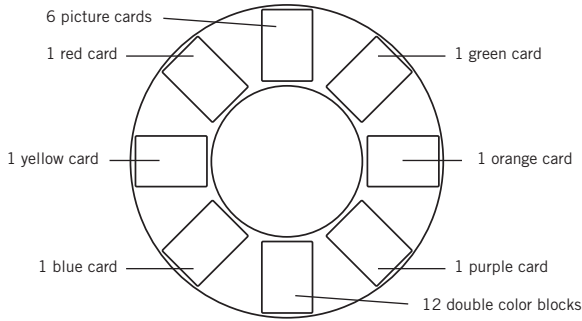


Figure 1. Card layout for Candyland game.

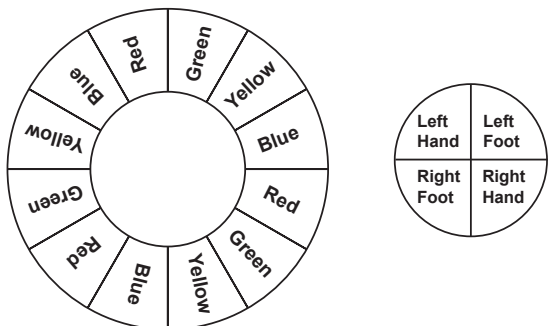
Follow the instructions that come with Candyland, but have players “spin” versus draw a card. When the arrow lands on one of the single color-block cards, the player moves his or her game piece to the next matching colored space on the game board. When the arrow lands on either the double color block or the picture cards, the player picks the top card off the pile and moves his or her game piece accordingly. Players return their cards to the bottom of the pile when their turn is over.

## Twister® Game

Playing this game requires the separate purchase of Twister by Milton Bradley.

Make an overlay according to the diagram in Figure 2. Color the segments of the large blank overlay with a dry-erase marker or attach pieces of colored paper or stickers. Play the game according to the instructions that come with Twister, using the All-Turn-It Spinner to define the combination of body part and color.

Figure 2. Sample overlay for Twister



## Dice Games

In addition to board games, there are numerous dice games that are fun to play. Here are examples of three dice games. To find out about other dice games, check your local library or look on-line for ideas.

**Chicago Dice Game:** The object of the game is to score the highest number of points at the end of twelve rounds.

Chicago is played with two dice so you will use both the large and small dice overlays. Write the players' names on the score card (see example in Figure 3). Players must score points in sequence from 2 to 12. In the first round of turns, 2 is the "key" number. Each round, the key number increases by one, moving from 2 to 3 to 4 and on up to 12.

In each round, all players get one chance to spin and come up with the key number for that round. The key number may be scored by spinning the number itself, or the two dice may be added to equal the number. For example, if the key number is 5, scoring combinations would be 4 and 1, 3 and 2, or 5 and any other number. (Note: Doubles do not score extra points.) If a player does not spin a key number in a particular round, they do not score for that round and "0" is placed on their score card.

### Chicago Score Card (Sample)

Name	2	3	4	5	6	7	8	9	10	11	12	Total
Tom	2	0	0	0	6	0	8	0	0	11	0	27
Jane	0	0	4	5	6	7	8	0	19	0	0	40
Annie	0	3	0	5	6	7	8	9	0	11	0	49

Figure 3. Sample score card for the game Chicago. Highest total points wins.

**Matterhorn Dice Game:** The object of the game is to be the first player to spin numbers in sequence from 1 to 12 and then from 12 to 1. Two dice are used, so you will need the large and small overlays. In addition, you will also need a score card for each player (see example in Figure 4). In Matterhorn, the numbers must be scored in order and they may be used independently or in combination to score more than one number. For example, if a player spins a 1 and 2 on their first turn, they score the 1, the 2, and the 3 with that roll. If another player spins a 1 and 5 on their first turn, they only score a 1 for that roll. Each player gets one spin per turn. The first player to go up the Matterhorn and back down again wins the game.



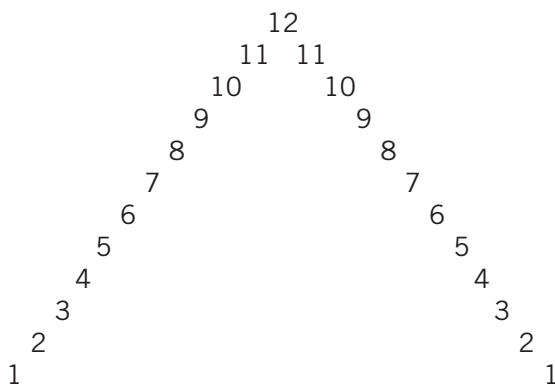


Figure 4. Sample score card for Matterhorn.

**Wipe Out!:** The object of the game is to be the first player to score 100 points. Two dice are used to play Wipe Out!, so you will need the large and small dice overlays. On each turn, a player can spin the dice as many times as she or he wants, totaling up their score as they go. However, if a player spins a 1, before they complete their turn, they lose all of the points they accumulated during that turn. If a player spins a pair of 1s, they “wipe out” and lose all of the points they have accumulated thus far in the game, taking their score down to 0.

The game ends when one player reaches or exceeds 100 points, however, all players get an equal number of turns in this game. For example, in a game with three players, if player A is the first to reach 100 points, players B and C still get one last turn, giving each of them the chance to go over 100 points. The player with the highest point total wins the game.

## Number Games

Use the dice overlay set to teach or reinforce a variety of math concepts. Players can add, subtract, multiply or divide the two numbers they spin. There are numerous variations which can be used with this activity.

**Variation 1:** Use the large and small dice overlays together. Each player or team gets two spins per turn. On the first spin, players add the two dice together to get one number; on the second spin they subtract the two dice to get a new number. Players then multiple number one by number two to come up with their score for that turn. The player or team with the highest score after ten turns wins the game.

**Variation 2:** Use the large dice overlay and the small blank overlay. Divide the small blank overlay into four segments and write a math function sign (+, -,  $\times$ , or  $\div$ ) in each section. Players spin two times per turn and get a number and a function sign on each spin. They perform the selected functions, and then

add the total of the two functions to determine their score. For example, if Sue spins a 10, and a + on her first spin, and a 2 and a ÷ on her second spin, her total score will be 17:  $(10 + 2) + (10 \div 2) = 17$ . For a simpler game, perform only one math operation or use only addition and subtraction function signs on the small overlay.

## Matching Games

Use your All-Turn-It® Spinner with the blank overlays to create your own matching games. Collect sets of pictures or images for use in matching games. Picture sets may be identical or they may represent objects that “go together” such as a ball and a bat. Divide one of the blank overlays into the number of segments you choose. (Hint: the large overlay typically works best when playing matching games.) Place one picture of each matched set on the overlay and divide the remaining pictures among the players or teams. Players or teams take turns spinning. When the arrow stops, the player or team with the matching picture lays that card down in front of them. The first player or team to lay down all of their pictures wins the game.

Make your own game boards for matching games by photocopying a number of pictures onto a sheet of paper. Each player should have a unique combination of pictures. Cut out matching photocopied pictures and place them on the overlay. Players spin and use a chip or game piece to cover a match on their paper game board. The first player or team to cover all of their pictures wins. Stickers purchased in book and stationery stores work very well for this variation.

## Trivia Games

Use a dry-erase marker to divide the large and small blank overlays into the number of segments you choose. Write letters in the segments on the large overlay and categories on the segments of the small overlay (suggestions: sports, cartoons, cities, famous people, etc.) You may also use symbols or pictures to represent categories. Players or teams spin to get a letter and category combination. If the player or team can give an answer (such as a famous person that starts with the letter G) within a designated time period, they receive one point. The player or team with the most points at the end of a set number of rounds wins.

## Other Activities

**Birthdays** are a perfect time for group games such as those described in this guide. Use the spinner at “present time” to decide the order in which the gifts will be opened. Write each child’s name on the large blank overlay. Children hold the gift they brought until the birthday child spins their name.

**Choices** can be made easier when compromises are necessary, or more fun when there are too many options. Write the names of the individuals involved with dry-erase marker on either the large or small blank overlay. Spin to determine who gets to pick the next TV show, computer game, etc. Place pictures, photos or small objects directly on the spinner platform and spin to decide what treat to eat after school, what to wear to school or who to invite over to play.

**Taking turns** provides a variation on making choices. Use the All-Turn-It Spinner® to take turns in a fun activity (shooting baskets, blowing bubbles, spraying water) by writing each child's name on the large blank overlay. Participants (perhaps the individual with a disability ) spin to determine who goes next.

**Helping hands** are more willing when an element of surprise is attached to the job assignments. Write the name of a task or chore or place a representative photo on sections of the large blank overlay. Individuals spin for their assignment.

## Strategies for Success

The following suggestions were collected from teachers, therapists, families and care providers who have enjoyed using the All-Turn-It Spinner in home, school, and community settings:

1. Limit the number of players or teams to shorten “wait” times and keep the game moving at a desirable pace. Many suggest a maximum of four players/teams.
2. Involve a mix of player with differing abilities in the same game. It will be easier to assign a variety of roles in this situation and you will likely see more interaction and communication among all of the participants.
3. Add an element of anticipation or surprise to your games to capture and hold attention. Some people have used a voice output communication aid to add sound effects (ex., crowd cheers for a lucky move). We have provided the “Turn About” game pieces as another option (see separate instructions in this game package).
4. Modify the rules if necessary to make the game faster or easier to play. Children naturally enjoy making up their own rules and are a great resource for ways to involve players with differing abilities.
5. Find ways for players to have more active involvement during the game. For example, if the game requires a score card, make copies so each player can keep track of his or her own score during the game. You may also want to pass around the All-Turn-It Spinner so it is accessible to each player during their turn.



Manual del producto  
**All-Turn-It® Spinner**



**AbleNet®**

## Introducción

La ruleta All-Turn-It® Spinner permite a niños y adultos con diferentes capacidades participar en una variedad de juegos interactivos. Este paquete incluye un juego de láminas superpuestas de dados e instrucciones por separado para jugar a numerosos juegos y actividades, incluyendo juegos de mesa disponibles en el mercado. AbleNet, Inc. tiene disponibles paquetes adicionales de la ruleta All-Turn-It Spinner a través de [ablenetinc.com](http://ablenetinc.com) o llamando al 800-322-0956 (Estados Unidos y Canadá) o al 651-294-2200.

## Componentes de la ruleta All-Turn-It Spinner (véase la Figura 1):

- Compartimento de la ruleta con conmutador incorporado y conector para conmutador externo.
- Lámina superpuesta grande
- Lámina superpuesta pequeña
- Eje y flecha de la ruleta Spinner
- Disco de plástico transparente extraíble de 17,8 cm (cubre la lámina superpuesta pequeña y la flecha)
- Compartimento para dos pilas C (no incluidas)
- Un rotulador de borrado en seco (no incluido en la imagen)

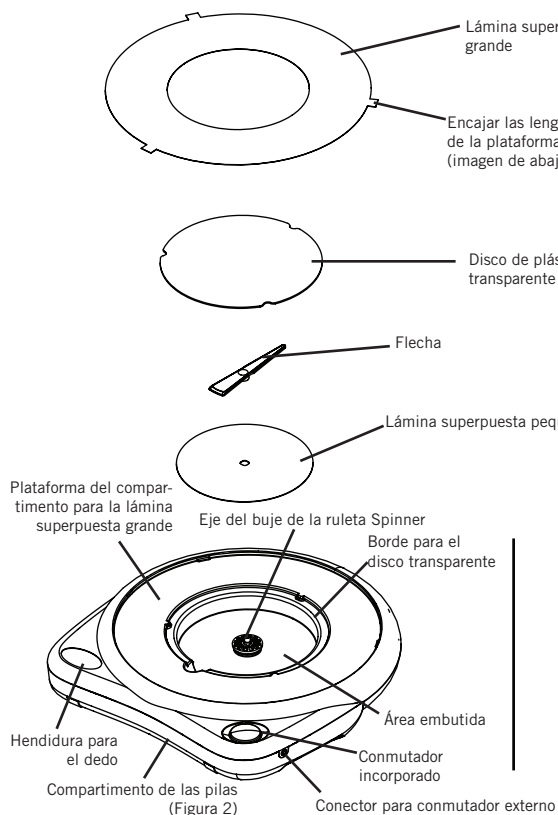


Figura 1.

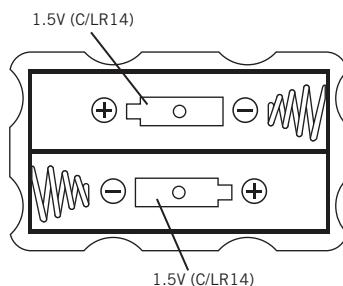


Figura 2.

## Cómo acceder al compartimento de las pilas

1. Saque el disco de plástico transparente de la ruleta All-Turn-It® Spinner.
2. Saque la flecha del eje de la ruleta.
3. Si corresponde, saque la lámina superpuesta pequeña del eje de la ruleta.
4. Inserte dos pilas C en el compartimento de las pilas.
5. Vuelva a instalar la lámina superpuesta pequeña, la flecha y el disco de plástico transparente.

*\*Nota: No mezcle las baterías viejas y nuevas, las baterías recargables y no recargables, o las baterías alcalinas y no alcalinas. Las baterías no recargables no deben ser recargadas. Las baterías agotadas deben ser quitadas del producto. Los terminales de la fuente no deben cortocircuitos. Las baterías recargables deben ser quitadas del producto antes de ser carga. Las baterías recargables deben ser cargadas solamente bajo supervisión adulta.*

## Cómo colocar las láminas superpuestas

1. Retire el disco de plástico transparente y la flecha como se describió anteriormente.
2. Sitúe la lámina superpuesta pequeña sobre el eje de plástico de la ruleta. Asegúrese de que la lámina superpuesta pequeña esté firmemente instalada, introduciendo el orificio cuadrado en el centro de la lámina superpuesta, en la porción cuadrada del eje de la ruleta.
3. Vuelva a instalar la flecha y el disco de plástico transparente. (Presione firmemente sobre la flecha hasta que haga “clic”).
4. Coloque la lámina superpuesta grande sobre el dispositivo, introduciendo las tres lengüetas en sus ranuras correspondientes.

*Nota: Al usar la lámina superpuesta grande solamente, utilice la cara en blanco de la lámina superpuesta pequeña para proporcionar contraste contra la flecha de la ruleta.*

## Cómo activar el All-Turn-It Spinner

Los jugadores hacen girar la flecha y la lámina superpuesta pequeña activando el conmutador incorporado o un conmutador externo enchufado al conector de la parte lateral del dispositivo.

## Uso de un conmutador externo

Utilice un conmutador externo con jugadores que tengan dificultades para acceder al conmutador incorporado. También se puede utilizar un conmutador externo para facilitar el acceso a múltiples jugadores. Se puede pasar el conmutador de jugador en jugador, mientras el dispositivo permanece en el mismo lugar.

1. Inserte un conmutador con un enchufe de 3,5 mm en el conector situado en la parte lateral del dispositivo.
2. Active el conmutador externo para hacer girar la flecha y la lámina superpuesta pequeña.

*Nota: La flecha gira durante un breve período de tiempo, preestablecido en fábrica. La activación repetida del conmutador en sucesión rápida, o mantener presionado el conmutador no influirá sobre el resultado de la rotación de un jugador. Además, una vez que la flecha deja de girar, se activa un corto lapso de tiempo durante el cual las activaciones adicionales del conmutador no harán girar la flecha. Esto permite a los jugadores tener el tiempo necesario para leer el resultado del giro.*

## Uso del pedestal

Saque las patas de atrás de All-Turn-It® Spinner para colocar en posición vertical.

## Consejos para la resolución de problemas

Si la ruleta All-Turn-It Spinner no funciona correctamente, compruebe lo siguiente:

1. Asegúrese de que las pilas estén correctamente instaladas: los polos positivo (+) y negativo (-) de las pilas están alineados con los polos correspondientes del compartimento de las pilas.
2. Asegúrese de que los polos de las pilas toquen los contactos de metal del compartimento de las pilas, y que las pilas que está utilizando estén completamente cargadas.
3. Asegúrese de que la lámina superpuesta pequeña esté correctamente alineada sobre el eje de la ruleta y que la flecha esté completamente introducida en el eje. Oirá un “clic” cuando encaje en su lugar.
4. Asegúrese de que no haya obstrucciones que pudieran impedir el funcionamiento o colocación correctos de la flecha y del eje de la ruleta.

*Nota: Sin nota cualquiera de los siguientes problemas, es posible que la carga de las pilas sea baja:  
un descenso en la velocidad o duración de los giros.  
un aumento en la cantidad de tiempo que debe esperar entre activaciones.*

## Reembolso

AbleNet ofrece una garantía de reembolso de 30 días en el caso de que nuestros productos no satisfagan sus expectativas. Para poder beneficiarse de este servicio, el estado de los productos devueltos debe ser nuevo. Póngase en contacto con AbleNet o con un distribuidor autorizado antes de devolver un producto.

## Información sobre la garantía/repelación/devolución

AbleNet ofrece una garantía limitada de dos años en sus productos. Para obtener información detallada sobre la garantía, visite [www.ablenetinc.com](http://www.ablenetinc.com).

### Para obtener más información sobre los productos y servicios de AbleNet:

AbleNet, Inc., Minneapolis/St. Paul, MN

800-322-0956 (Estados Unidos y Canadá)

Internet: [www.ablenetinc.com](http://www.ablenetinc.com) © 2012 AbleNet, Inc., Todos los derechos reservados

### ADVERTENCIA:

**PELIGRO DE ASFIXIA** - Piezas pequeñas.

No indicado para niños menores de tres años.





# Instrucciones para la utilización del juego de láminas superpuestas de dados



## La lámina superpuesta de dados

Su juego lo componen dos láminas superpuestas de dados: una lámina superpuesta grande en forma de rosca y una lámina superpuesta circular pequeña. Cada lámina superpuesta contiene seis segmentos que representan las seis caras de un dado. Cuando se utilizan las dos láminas superpuestas conjuntamente, el giro de la ruleta equivale al lanzamiento de un dado. El juego o actividad que esté jugando determinará si debe utilizar una o ambas láminas superpuestas.

## La lámina superpuesta en blanco

El reverso de cada lámina superpuesta de dados está en blanco. Consulte las secciones Juegos de parejas, Juegos de preguntas, Otras actividades para obtener ideas sobre cómo crear sus propios juegos de diversión y aprendizaje.

La superficie de la lámina superpuesta en blanco permite utilizarla como superficie para rotuladores de borrado en seco. Si utiliza un rotulador de borrado en seco para realizar su lámina superpuesta "final", puede escribir o dibujar directamente sobre la lámina superpuesta. Los rotuladores de colores de borrado en seco añaden interés y pueden borrarse con un paño húmedo al final del juego. También puede adherir imágenes, tarjetas, fotografías u otros objetos ligeros sobre las láminas superpuestas con cinta adhesiva de doble cara o con pequeños pedazos de pasta adhesiva reusable. El uso de pegatinas y símbolos da un aspecto profesional a las láminas superpuestas.

## Qué se necesita para jugar

La ruleta All-Turn-It® Spinner se puede utilizar simplemente como un sustituto de los dados o para seleccionar un número al azar. Para jugar, necesita el juego que desee jugar y la ruleta All-Turn-It Spinner con la lámina superpuesta de dados. Si está jugando a un juego que requiere el uso de dos dados o la selección de números al azar entre el 1 y el 12, utilice las dos láminas superpuestas de dados grande y pequeña. Si sólo necesita simular el lanzamiento de un solo dado o generar un número al azar entre 1 y 6, puede utilizar la lámina superpuesta de dados grande o pequeña.

### Uso con otros juegos disponibles en el mercado

La lámina superpuesta de dados se puede utilizar con una amplia variedad de juegos de mesa disponibles en el mercado que requieren 1 dado, dos dados o una ruleta. La tabla 1 incluye una lista parcial de juegos de mesa comunes que utilizan dados o ruletas.

Juego	Número de dados requerido
Backgammon	2 dados
Clue® de Parker Brothers	1 dado
Life® de Milton Bradley	Ruleta de 10 posiciones (utilizar dos dados para simular el lanzamiento)
Monopoly® de Parker Brothers	2 dados
Parcheesi® de Milton Bradley	2 dados
PayDay® de Parker Brothers	1 dado
Sorry® de Parker Brothers	2 dados
Trivial Pursuit® de Parker Brothers	1 dado
Trouble® de Milton Bradley	2 dados
Yahtzee® de Milton Bradley	5 dados (3 vueltas equivalen a un turno)

Tabla 1. Ejemplos de juegos disponibles en el mercado y número de dados utilizados.

Hay también una variedad de juegos disponibles en el mercado en los cuales la correspondencia de colores o imágenes determina el movimiento de un jugador. Se puede jugar fácilmente a muchos de estos juegos utilizando la ruleta All-Turn-It Spinner y creando láminas superpuestas personalizadas. Aquí tiene dos ejemplos:

## Juego Candyland®

Para jugar a este juego se requiere la compra de Candyland de Milton Bradley.

Separe y baraje las 12 cartas con dos cuadrados de colores, las seis cartas de imágenes y las seis cartas con un cuadrado de un solo color incluidas en el juego Candyland. Sitúe las cartas en la plataforma de la ruleta de acuerdo con el diagrama siguiente:

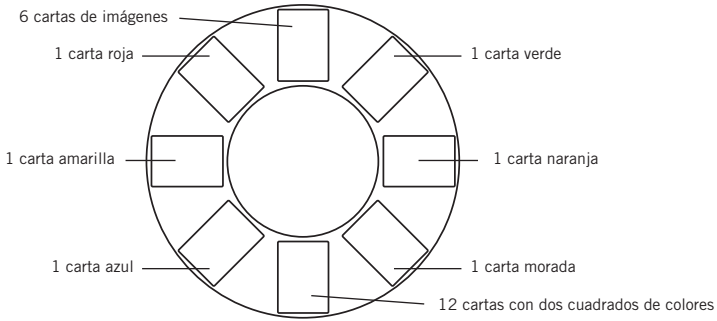


Figura 1. Disposición de las cartas para el juego Candyland.

Siga las instrucciones incluidas en el juego Candyland, con la diferencia de que en lugar de coger una carta, los jugadores deben hacer girar la ruleta. Cuando la flecha apunte hacia una de las cartas con un solo cuadrado de un color, el jugador mueve su ficha a la siguiente casilla del mismo color en el tablero de juego. Cuando la flecha apunte hacia una carta con dos cuadrados de colores o hacia una carta con una imagen, el jugador coge la carta de la parte superior de la baraja y mueve su ficha según corresponda. Los jugadores deben devolver sus cartas a la parte inferior de la baraja cuando pase su turno.

## Juego Twister®

Para jugar a este juego se requiere la compra de Twister de Milton Bradley.

Elaborar una lámina superpuesta de acuerdo con el diagrama de la figura 2. Colorear los segmentos de la lámina superpuesta grande en blanco, con un rotulador de borrado en seco o adherirle trozos de papel o pegatinas de colores. Jugar siguiendo las instrucciones incluidas en el juego Twister, y utilizando la ruleta All-Turn-It Spinner para definir la combinación de la parte del cuerpo y el color.

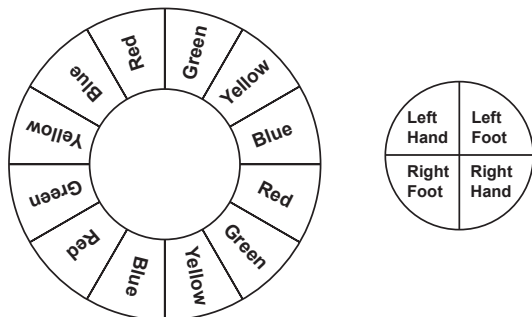


Figura 2. Ejemplo de lámina superpuesta para el juego Twister

## Juegos de dados

Además de los juegos de mesa, también hay numerosos juegos de dados sumamente divertidos. Estos son tres ejemplos de juegos de dados. Para encontrar otros juegos de dados busque en su biblioteca local o en Internet.

**Juego de dados Chicago:** El objetivo del juego es conseguir el mayor número de puntos al final de doce turnos.

Al juego Chicago se juega con dos dados, por lo cual deberá usar las láminas superpuestas grande y pequeña. Escriba los nombres de los jugadores en la tarjeta de puntuación (véase el ejemplo de la Figura 3). Los jugadores deben puntuar en una secuencia de 2 a 12. En la primera ronda de turnos, 2 es el número “clave”. En cada ronda, el número clave aumenta una unidad, pasando del 2 al 3, al 4, hasta llegar al 12.

En cada ronda, todos los jugadores tienen una oportunidad para hacer girar la ruleta y obtener el número correspondiente a esa ronda. El número clave puede obtenerse sacando tal número en la ruleta, o sumando los números de los dos dados para igualar el número. Por ejemplo, si el número clave es 5, las combinaciones ganadoras serían el 4 y el 1, el 3 y el 2, o el 5 y cualquier otro número. (Nota: Los números dobles no otorgan puntos adicionales). Si un jugador no saca el número clave en la ruleta durante su turno, no puntuará durante tal turno y se deberá escribir “0” en su tarjeta de puntuación.

### Tarjeta de puntuación del juego Chicago (ejemplo)

Nombre	2	3	4	5	6	7	8	9	10	11	12	Total
Tom	2	0	0	0	6	0	8	0	0	11	0	27
Jane	0	0	4	5	6	7	8	0	19	0	0	40
Annie	0	3	0	5	6	7	8	9	0	11	0	49

Figura 3. Ejemplo de tarjeta de puntuación del juego Chicago. Quien consiga la puntuación total más alta gana.

**Juego de dados Matterhorn:** El objetivo del juego es ser el primer jugador en conseguir la secuencia de números del 1 al 12, y a continuación del 12 al 1. Se utilizan dos dados, por lo cual deberá utilizar las láminas superpuestas grande y pequeña. Además, necesitará una tarjeta de puntuación para cada jugador (véase el ejemplo en la figura 4). En el juego Matterhorn, los números deben conseguirse en orden y pueden utilizarse independientemente o en combinación para anotar más de un número. Por ejemplo, si un jugador consigue un 1 y un 2 en su primer turno, puntuará un 1, un 2 y un 3, en ese turno. Si otro jugador consigue un 1 y un 5 en su primer turno, puntuará solamente un 1 en ese turno. Cada jugador hace girar la ruleta una vez por turno. El primer jugador que consiga subir al monte Matterhorn y volver a bajar gana el juego.

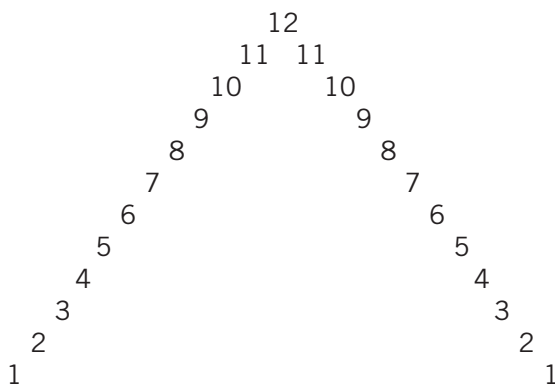


Figura 4. Ejemplo de tarjeta de puntuación para el juego Matterhorn.

**Wipe Out!:** El objetivo del juego es ser el primer jugador en anotar 100 puntos. Para jugar al Wipe Out! se utilizan dos dados, por lo cual deberá utilizar las láminas superpuestas grande y pequeña. En cada turno, un jugador puede hacer girar la ruleta tantas veces como quiera, sumando todos los puntos al total de su puntuación. Sin embargo, si un jugador saca un 1, antes de terminar su turno, pierde todos los puntos que acumuló durante ese turno. Si un jugador saca dos 1, pierde todos los puntos que ha acumulado hasta ahora en el juego, y su puntuación pasa a ser 0.

El juego finaliza cuando un jugador alcanza o supera los 100 puntos. Sin embargo, en este juego todos los jugadores reciben el mismo número de turnos. Por ejemplo, en una partida con tres jugadores, si el jugador A es el primero en llegar a 100 puntos, los jugadores B y C todavía disponen de un último turno para darles la oportunidad de sobrepasar los 100 puntos. El jugador con el mayor número de puntos gana el juego.

## Juegos de números

Utilice el juego de láminas superpuestas de dados para enseñar o reforzar una variedad de conceptos matemáticos. Los jugadores pueden sumar, restar, multiplicar o dividir los dos números que obtienen al hacer girar la ruleta. Con esta actividad se pueden usar numerosas variaciones.

**Variación 1:** Utilice las láminas superpuestas grande y pequeña conjuntamente. Cada jugador o equipo hace girar la ruleta dos veces por turno. En el primer giro de ruleta, los jugadores suman el valor de los dos dados para obtener un solo número; en el segundo giro restan el valor de los dos dados para obtener un nuevo número. Luego los jugadores multiplican el primer número por el segundo número para obtener la puntuación correspondiente a ese turno. El jugador o equipo con la puntuación más alta después de diez turnos, gana el juego.

**Variación 2:** Utilice la lámina superpuesta de dados grande y la lámina superpuesta en blanco pequeña. Divida la lámina superpuesta en blanco pequeña en cuatro segmentos y escriba el signo de una función matemática

(+, -, x, o ÷) en cada sección. Los jugadores hacen girar la ruleta dos veces por turno y obtienen un número y un signo de función matemática en cada giro. Aplican las funciones matemáticas seleccionadas, y luego suman el total de las dos funciones para determinar su puntuación. Por ejemplo, si Sue obtiene un 10, y un signo + en su primer giro de ruleta, y un 2 y un signo ÷ en su segundo giro, su puntuación total será de 17:  $(10 + 2) + (10 \div 2) = 17$ . Para simplificar el juego, realizar una sola operación matemática o usar solamente los signos de suma y resta en la lámina superpuesta pequeña.

## Juegos de parejas

Utilice la ruleta All-Turn-It® Spinner con las láminas superpuestas en blanco para crear sus propios juegos de parejas. Recopile grupos de fotografías o imágenes para usar en los juegos de parejas. Las parejas de imágenes pueden ser idénticas o pueden representar objetos que “se complementan”, como una pelota y un bate. Divida una de las láminas superpuestas en blanco en el número de segmentos que usted desee. (Sugerencia: La lámina superpuesta grande suele ser mejor para los juegos de emparejar cartas). Coloque una imagen de cada pareja sobre una lámina superpuesta y divida las imágenes restantes entre los jugadores o equipos. Los jugadores o equipos se turnan para hacer girar la ruleta. Cuando la flecha se detenga, el jugador o equipo que tenga la pareja de la imagen de la ruleta, se deshace de tal carta. El primer jugador que se deshaga de todas las cartas gana el juego.

Realice sus propios juegos de parejas fotocopiando un grupo de imágenes en una hoja de papel. Cada jugador debe tener una combinación única de imágenes. Recorte parejas de imágenes fotocopiadas y colóquelas sobre la lámina superpuesta. Los jugadores hacen girar la ruleta y usan fichas para cubrir las imágenes emparejadas en su tablero. El primer jugador o equipo que logre cubrir todas sus imágenes gana el juego. Las pegatinas que se venden en papelerías o librerías van muy bien para esta variación.

## Juegos de preguntas

Use un rotulador de borrado en seco para dividir las láminas superpuestas en blanco grande y pequeña, en el número de segmentos que desee. Escriba letras en los segmentos de la lámina grande y categorías en los segmentos de la lámina pequeña (sugerencias: deportes, dibujos animados, ciudades, gente famosa, etc.). También puede utilizar símbolos o imágenes para representar las categorías. Los jugadores o equipos hacen girar la ruleta para conseguir una combinación de letra y categoría. Si el jugador o equipo es capaz de responder (por ejemplo, una persona famosa que empieza con la letra G) en un período de tiempo designado, recibirá un punto. El jugador o equipo con más puntos al final de un número determinado de turnos gana el juego.

## Otras actividades

**Los cumpleaños** son un momento perfecto para juegos de grupo como los descritos en esta guía. Use la ruleta en el momento de entregar los regalos para decidir el orden en que se abrirán. Escriba el nombre de cada niño en la lámina superpuesta en blanco. Los niños sostienen el regalo que trajeron hasta que el niño que celebra el cumpleaños saca su nombre en la ruleta.

Cuando hay que hacer concesiones, es posible simplificar la **selección de opciones**, o hacerlas más divertidas en el caso de que haya demasiadas. Escriba los nombres de las personas involucradas con un rotulador de borrado en seco sobre la lámina superpuesta en blanco grande o pequeña. Haga girar la ruleta para decidir quién escoge el programa de televisión siguiente, el juego de ordenador, etc. Coloque imágenes, fotos u objetos pequeños directamente en la plataforma de la ruleta y hágala girar para decidir qué golosinas se pueden comer después de la escuela, qué ponerse para ir a la escuela o a quién invitar para jugar.

**Tomar turnos** proporciona una variación a la toma de decisiones. Utilice la ruleta All-Turn-It Spinner® para tomar turnos en una actividad divertida (tirar canastas, hacer burbujas, disparar chorros de agua), escribiendo el nombre de cada niño en la lámina superpuesta en blanco grande. Los participantes (tal vez la persona con una discapacidad) hacen girar la ruleta para decidir a quién le pertenece el siguiente turno.

**Los ayudantes** están más dispuestos a ayudar cuando las asignaciones de trabajo tienen un elemento de sorpresa. Escriba el nombre de una tarea o coloque una foto representativa de una tarea en cada una de las secciones de la lámina superpuesta en blanco grande. Cada persona debe hacer girar la ruleta para saber cuál es su tarea.

## Estrategias para el éxito

Las siguientes sugerencias provienen de maestros, terapeutas, familias y guarderías que han disfrutado del All-Turn-It® Spinner en el hogar, la escuela y la comunidad:

1. Limite el número de jugadores o equipos para reducir los tiempos de “espera” y mantener el juego a un ritmo adecuado. Se sugiere un máximo de cuatro jugadores / equipos.
2. Incluya una variedad de jugadores con diferentes niveles de destreza en el juego. Será más fácil asignar una variedad de roles en esta situación y es probable que se dé una mayor interacción y comunicación entre todos los participantes.

3. Añada un elemento de anticipación o sorpresa a sus juegos con el fin de capturar y mantener la atención. Hay gente que ha utilizado un dispositivo de asistencia para la voz con el fin de añadir efectos de sonido (por ejemplo, los aplausos del público ante una racha de buena suerte). Hemos proporcionado las fichas de “Cambio de turno” como otra opción (véanse las instrucciones por separado en este paquete del juego).
4. Modifique las normas si es necesario para hacer el juego más rápido o más fácil de jugar. Los niños se divierten de forma natural inventándose sus propias reglas y son un gran recurso para incluir jugadores con diferentes niveles de destreza.
5. Busque formas para que los jugadores participen más activamente durante el juego. Por ejemplo, si el juego requiere una tarjeta de puntuación, haga copias para que cada jugador pueda anotar su propia puntuación durante el juego. También puede ser buena idea pasar la ruleta All-Turn-It® Spinner de jugador en jugador para que sea más accesible durante cada turno.



Manuel du produit  
All-Turn It® Spinner



AbleNet®

---

## Introduction

La roue All-Turn-It® Spinner permet aux enfants et aux adultes dotés de capacités diverses de participer à une variété de jeux interactifs. Ce paquet comprend un jeu de calques de dé et des instructions séparées pour jouer à des jeux et des activités différentes, y compris les jeux de société disponibles dans le commerce. Des paquets de jeux All-Turn-It Spinner supplémentaires sont proposés par AbleNet, Inc. et disponibles à [ablenetinc.com](http://ablenetinc.com) ou par téléphone au 800-322-0956 (États-Unis et Canada) ou au 651-294-2200.

### Composants de la roue All-Turn-It Spinner (voir Figure 1) :

- Boîtier de la roue avec contacteur intégré et prise de contacteur externe.
- Grand calque
- Petit calque
- Montant et flèche de la roue
- Disque en plastique transparent amovible de 17,8 cm (recouvre le petit calque et la flèche)
- Compartiment des piles exigeant deux piles C (non fournies)
- Un feutre à essuyage à sec (non illustré)

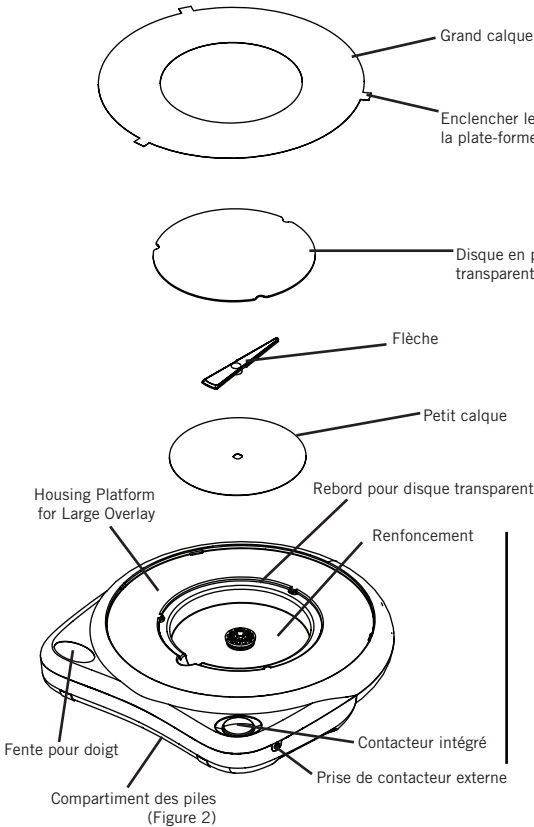


Figure 1.

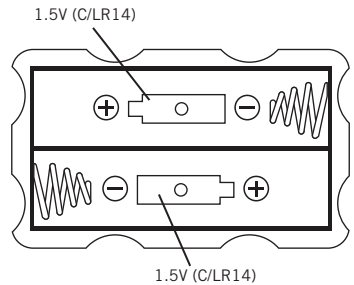


Figure 2.

## Accès au compartiment des piles

1. Enlever le disque en plastique transparent de l'All-Turn-It® Spinner.
2. Enlever la flèche du montant de la roue.
3. S'il y a lieu, enlever le petit calque attaché du montant de la roue.
4. Insérer deux piles C dans le compartiment des piles.
5. Remettre le petit calque, la flèche et le disque en plastique transparent.

*\*Note : Ne mélangez pas les vieilles et nouvelles batteries, les batteries rechargeables et non rechargeables, ou les batteries alcalines et non alcalines. Des batteries non rechargeables ne doivent pas être rechargées. Des batteries épuisées doivent être enlevées du produit. Les bornes d'approvisionnement ne doivent pas être court-circuitées. Des batteries rechargeables doivent être enlevées du produit avant d'être chargées. Des batteries rechargeables doivent être chargées seulement sous la surveillance adulte.*

## Positionnement des calques

1. Enlever le disque en plastique transparent et la flèche, comme indiqué ci-dessus.
2. Placer le petit calque sur le montant de la roue en plastique. S'assurer que le petit calque est fermement en place en alignant la découpe carrée au centre du calque sur la partie carrée du montant de la roue.
3. Remettre la flèche et le disque en plastique transparent. (Appuyer fermement sur la flèche jusqu'à ce qu'un déclic signale son enclenchement.)
4. Placer le grand calque sur l'appareil, en alignant les trois onglets sur les fentes correspondantes.

*Remarque : Lorsque le grand calque est utilisé seul, utiliser la face non imprimée (blanche) du petit calque comme contraste avec la flèche de la roue.*

## Activation de la roue All-Turn-It Spinner

Les joueurs tournent la flèche et le petit calque en activant le contacteur intégré ou un contacteur externe branché sur la prise de contacteur sur le côté de l'appareil.

## Utilisation d'un contacteur externe

Utiliser un contacteur externe avec des joueurs qui ont du mal à accéder au contacteur intégré. Un contacteur externe peut aussi servir à faciliter l'accès quand il y a plusieurs joueurs. Le contacteur peut être amené à chaque joueur lorsque l'appareil reste à un endroit.

1. Brancher un contacteur muni d'une fiche de 3,5 mm sur la prise de contacteur située sur le côté de l'appareil.
2. Activer le contacteur externe pour tourner la flèche et le petit calque.

*Remarque : La flèche tourne brièvement pendant un temps prédéfini à l'usine. L'activation rapide du contacteur à plusieurs reprises ou une pression continue sur le contacteur sera sans effet sur le résultat obtenu par un joueur qui fait tourner la roue. En outre, une fois que la flèche s'arrête de tourner, il existe un léger retard durant lequel des activations de contacteur supplémentaires ne feront pas tourner la flèche. Ceci permet de garantir que les joueurs auront le temps de lire le résultat de la rotation de la flèche.*

## Utilisation du socle

Tirez sur les jambes de l'arrière du All-Turn-It® Spinner de mettre en position verticale.

## Astuces de dépannage

Si l'All-Turn-It Spinner ne fonctionne pas correctement, vérifier ce qui suit :

1. S'assurer que les piles ont été correctement mises en place : les extrémités positive (+) et négative (-) des piles doivent correspondre aux indications dans le compartiment.
2. S'assurer que les deux extrémités des piles touchent les contacts métalliques dans le compartiment et que les piles utilisées sont chargées à fond.
3. S'assurer que le petit calque est correctement aligné sur le montant de la roue et que la flèche est poussée le plus bas possible. Un déclic confirme son enclenchement.
4. S'assurer qu'aucune obstruction susceptible d'empêcher le positionnement ou le fonctionnement correct de la flèche ou du montant de la roue n'est présente.

*Remarque : Si l'une des situations suivantes se présente, il est possible que la charge des piles soit faible :  
baisse de vitesse ou de durée des rotations,  
augmentation du temps d'attente nécessaire entre deux activations.*

## Satisfait ou remboursé

AbleNet propose une garantie de remboursement de 30 jours si nos produits ne sont pas à la hauteur de vos attentes. Pour ce service, les produits doivent être en bon état. Contactez AbleNet ou un revendeur agréé avant de retourner un produit.

## Garantie/réparations/informations pour le renvoi

AbleNet offre une garantie limitée de deux ans sur ses produits. Pour des informations détaillées sur la garantie, allez sur le site [www.ablenetinc.com](http://www.ablenetinc.com).

**Pour obtenir de plus amples renseignements sur les produits et services d'AbleNet :**

AbleNet, Inc., Minneapolis/St. Paul, MN

800-322-0956 (États-Unis et Canada)

Internet : [www.ablenetinc.com](http://www.ablenetinc.com) © 2012 AbleNet, Inc. Tous droits réservés

### AVERTISSEMENT :

**RISQUE DE SUFFOCATION** - Petites pièces.  
Interdit aux enfants de moins de 3 ans.



# Mode d'emploi du jeu de calques de dé



## Calque de dé

Deux calques de dé sont fournis avec l'appareil : un grand calque en forme de beignet et un petit calque circulaire. Chaque calque contient six segments représentant les six côtés d'un dé. Utilisés ensemble, les deux calques reviennent à lancer un dé. En fonction du jeu ou de l'activité, un ou deux calques seront utilisés.

## Calque blanc

Le verso de chaque calque est blanc. Pour des idées sur la manière de créer des jeux personnalisés pour s'amuser et apprendre, voir les sections Jeux d'association, Jeux de questions et Autres activités.

La surface du calque blanc est une surface ultra-brillante marquable et effaçable. Si un feutre à essuyage à sec est utilisé pour créer le calque « final », écrire ou dessiner directement sur le calque. Les feutres de couleur à essuyage à sec suscitent un plus grand intérêt et s'essuient avec un chiffon humide à la fin du jeu. Il est également possible d'attacher des images, des cartes, des photos ou d'autres objets légers aux calques avec du ruban double face ou de petits bouts d'adhésif réutilisable. Les étiquettes et symboles autocollants créent des calques d'aspect professionnel.

## Nécessaire pour jouer à un jeu

L'All-Turn-It® Spinner peut remplacer un lancer de dé ou la sélection d'un nombre au hasard. Pour jouer, se procurer le jeu en question et l'All-Turn-It Spinner avec le calque de dé. Si le jeu choisi exige deux dés ou des nombres choisis au hasard entre 1 et 12, utiliser les deux calques de dé. Pour simuler un lancer de dé ou produire un chiffre au hasard entre 1 et 6, utiliser le grand ou le petit calque de dé.

### Jeux commerciaux

Le jeu de calques de dé peut être utilisé sur un large éventail de jeux de société disponibles dans le commerce et qui exigent l'emploi d'un ou deux dés ou d'une roue. Le tableau 1 est une liste non exhaustive de jeux de société courants qui utilisent des dés ou des roues.

Jeu	Nombre de dés requis
Jacquet	2 dés
Clue® de Parker Brothers	1 dé
Life® de Milton Bradley	Roue à 10 positions (utiliser 2 dés pour simuler)
Monopoly® de Parker Brothers	2 dés
Parcheesi® de Milton Bradley	2 dés
PayDay® de Parker Brothers	1 dé
Sorry® de Parker Brothers	2 dés
Trivial Pursuit® de Parker Brothers	1 dé
Trouble® de Milton Bradley	2 dés
Yahtzee® de Milton Bradley	5 dés (3 rotations égalent 1 tour)

Tableau 1. Exemples de jeux disponibles dans le commerce et nombre de dés utilisés.

Il existe aussi une variété de jeux disponibles dans le commerce où l'association à une couleur ou une image détermine le coup d'un joueur. Il est facile de jouer à un grand nombre de ces jeux à l'aide de l'All-Turn-It Spinner et d'un calque « personnalisé ». En voici deux exemples :

## Jeu Candyland®

Pour jouer à ce jeu, il faut acheter séparément le jeu Candyland de Milton Bradley.

Séparer et battre les 12 cartes à bloc de couleur double, les six cartes de jeu à image et les six cartes à bloc de couleur simple fournies avec le jeu Candyland. Placer les cartes sur la plate-forme de la roue en suivant le diagramme ci-dessous :

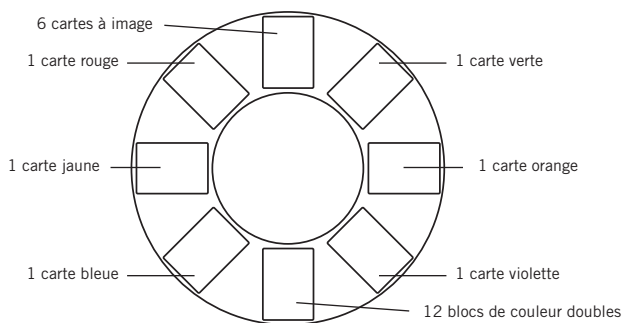


Figure 1. Agencement des cartes pour le jeu Candyland.

Suivre les instructions fournies avec Candyland, à ceci près que les joueurs font tourner la roue au lieu de tirer une carte. Lorsque la flèche pointe vers l'une des cartes à bloc de couleur simple, le joueur déplace son pion jusqu'à l'espace de couleur correspondant suivant sur la planche du jeu. Lorsque la flèche pointe vers l'une des cartes à bloc de couleur double, le joueur tire la carte sur le haut de la pile et déplace son pion en conséquence. Les joueurs remettent leur carte au bas de la pile une fois leur tour terminé.

## Jeu Twister®

Pour jouer à ce jeu, il faut acheter séparément le jeu Twister de Milton Bradley.

Créer un calque en suivant le diagramme de la figure 2. Colorier les segments du grand calque blanc avec un feutre à essuyage à sec ou attacher des bouts de papier ou d'autocollant de couleur. Jouer au jeu en suivant les instructions fournies avec Twister, en utilisant l'All-Turn-It Spinner pour définir la combinaison partie du corps/couleur.

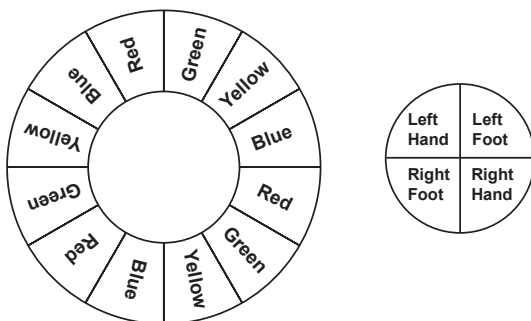


Figure 2. Calque-type pour Twister

## Jeux de dés

Outre les jeux de société, il existe de nombreux jeux de dés amusants. Voici des exemples de trois jeux de dés. Pour en savoir plus sur d'autres jeux de dés, se renseigner à la bibliothèque locale ou rechercher des idées en ligne.

**Jeu de dés Chicago :** Le but du jeu est de finir avec le plus grand nombre de points à la fin de 12 tours.

Comme Chicago se joue avec deux dés, il faut utiliser le grand et le petit calque. Noter les noms des joueurs sur la carte de score (voir l'exemple à la figure 3). Les joueurs doivent marquer des points de 2 à 12 en tirant les nombres correspondants dans l'ordre. Lors de la première série de tours, 2 est le nombre « clé ». À chaque série de tours, le nombre clé augmente de 1, passant de 2 à 3 à 4 et ainsi de suite jusqu'à 12.

À chaque série de tours, tous les joueurs ont une chance de faire tourner la roue et de tirer le nombre clé pour la série de tours en question. Le nombre clé peut être tiré directement sur un seul dé ou en additionnant les deux dés pour égaler le nombre. Par exemple, si le nombre clé est 5, les combinaisons gagnantes seraient 4 et 1, 3 et 2 ou 5 et tout autre nombre. (Remarque : Les doubles ne font pas marquer de points en plus.) Si un joueur ne tire pas le nombre clé lors d'un tour particulier, il ne marquera pas de points pour ce tour et « 0 » sera noté sur sa carte de score.

### Carte de score du jeu Chicago (exemple)

Nom	2	3	4	5	6	7	8	9	10	11	12	Total
Tom	2	0	0	0	6	0	8	0	0	11	0	27
Jane	0	0	4	5	6	7	8	0	19	0	0	40
Annie	0	3	0	5	6	7	8	9	0	11	0	49

Figure 3. Carte de score type pour le jeu Chicago. Celui qui finit avec le total le plus élevé gagne.

**Jeu de dés Matterhorn :** Le but du jeu est d'être le premier joueur à tirer des nombres de 1 à 12 puis de 12 à 1 dans l'ordre. Comme ce jeu se joue avec deux dés, il faut utiliser le grand et le petit calque. En outre, il faudra utiliser une carte de score par joueur (voir l'exemple de la figure 4). Dans Matterhorn, les nombres doivent être tirés dans l'ordre et ils peuvent être utilisés seuls ou en combinaison pour marquer plus d'un nombre. Par exemple, si un joueur tire un 1 et un 2 au premier tour, il marquera le 1, le 2 et le 3 ce tour-là. Si un autre joueur tire un 1 et un 5 au premier tour, il ne marquera qu'un 1 pour ce tour-là. Chaque joueur a droit à un tirage par tour. Le premier joueur à monter le Matterhorn et à en redescendre gagne.



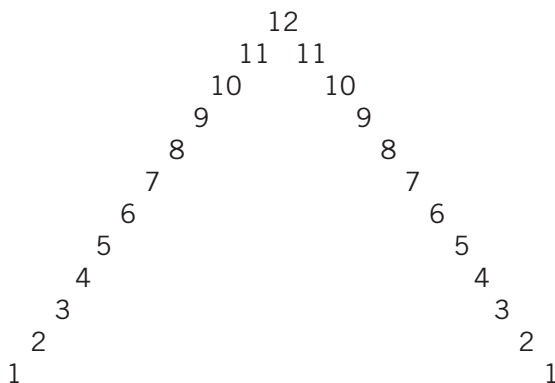


Figure 4. Carte de score type pour le jeu Matterhorn.

**Wipe Out!** : Le but du jeu est d'être le premier joueur à marquer 100 points. Comme ce jeu se joue avec deux dés, il faut utiliser le grand et le petit calque. À chaque tour, un joueur peut rouler les dés autant de fois qu'il le souhaite, en additionnant son score au fur et à mesure. Toutefois, si un joueur tire un 1 avant de terminer son tour, il perdra tous les points accumulés ce tour-là. Si un joueur tire une paire de 1, il perd tous les points accumulés jusqu'à présent dans le jeu, ramenant son score à 0.

Le jeu prend fin lorsqu'un joueur atteint ou dépasse 100 points, mais tous les joueurs ont un nombre égal de tours dans ce jeu. Par exemple, dans un jeu à trois, si le joueur A est le premier à atteindre 100 points, les joueurs B et C auront toujours droit à un dernier tour, leur donnant à chacun la possibilité de dépasser 100 points. Le joueur avec le total de points le plus élevé gagne la partie.

## Jeux de nombres

Utilisez le jeu de calques de dé pour enseigner ou renforcer divers concepts mathématiques. Les joueurs peuvent ajouter, soustraire, multiplier ou diviser les deux nombres qu'ils tirent. De nombreuses variantes sont possibles pour cette activité.

**Variante 1** : Utiliser le petit et le grand calque de dé ensemble. Chaque joueur ou équipe a droit à deux tirages par tour. La première fois, les joueurs additionnent les deux dés pour obtenir un nombre ; la seconde fois, ils soustraient les dés l'un de l'autre pour obtenir un nouveau nombre. Les joueurs multiplient ensuite les deux nombres pour obtenir leur score pour ce tour. Le joueur ou l'équipe ayant le score le plus élevé après dix tours gagne la partie.

**Variante 2 :** Utiliser le grand calque de dé et le petit calque blanc. Diviser le petit calque blanc en quatre segments et écrire un signe de fonction mathématique (+, -, x ou ÷) dans chaque section. Les joueurs ont deux tirages par tour et obtiennent un nombre et un signe de fonction à chaque tirage. Ils exécutent les fonctions sélectionnées, puis ils ajoutent le total des deux fonctions pour déterminer leur score. Par exemple, si Sue sort un 10 et le signe + au premier tirage, et un 2 et le signe ÷ au second tirage, son score total sera de  $17 : (10 + 2) + (10 \div 2) = 17$ . Pour simplifier le jeu, effectuer une seule opération mathématique ou utiliser seulement les signes de fonction d'addition et de soustraction sur le petit calque.

## Jeux d'association

Utiliser l'All-Turn-It® Spinner avec les calques blancs pour créer ses propres jeux d'association. Rassembler des jeux de photos ou d'images à utiliser dans des jeux d'association. Les jeux d'images pourront être identiques ou représenter des objets qui « vont ensemble », comme une balle et une batte. Diviser un des calques blancs dans le nombre de segments choisi. (Astuce : Le grand calque est généralement préférable pour les jeux d'association.) Placer une image de chaque jeu d'images appariées sur le calque et partager les images restantes entre les joueurs ou équipes. Les joueurs ou les équipes tirent une image chacun à tour de rôle. Lorsque la flèche s'arrête, le joueur ou l'équipe avec l'image correspondante pose cette carte devant lui. Le premier joueur ou la première équipe à poser toutes ses images gagne la partie.

Créer des planches de jeu pour les jeux d'association en photocopiant plusieurs images sur une feuille de papier. Chaque joueur doit avoir une combinaison unique d'images. Découper les images d'association photocopiées et les placer sur le calque. Les joueurs jouent leur tour et utilisent un jeton ou un pion pour couvrir une image d'association sur leur planche de jeu en papier. Le premier joueur ou la première équipe à couvrir toutes ses images gagne la partie. Les autocollants achetés en librairie ou papeterie font très bien l'affaire pour cette variante.

## Jeux de questions

Utiliser un feutre à essuyage à sec pour diviser le petit et le grand calque dans le nombre de segments choisi. Écrire des lettres dans les segments du grand calque et des catégories dans les segments du petit calque (suggestions : sports, bandes dessinées, villes, personnes célèbres, etc.) On peut aussi utiliser des symboles ou des images pour représenter des catégories. Les joueurs ou équipes tirent leur combinaison lettre/catégorie. Si le joueur ou l'équipe donne une réponse (par exemple, une personne célèbre dont le nom commence par la lettre G) dans le délai imparti, il reçoit un point. Le joueur ou l'équipe obtenant le plus de points à la fin d'un nombre défini de tours gagne la partie.

## Autres activités

**Les anniversaires** sont parfaits pour les jeux de groupe tels que ceux décrits dans ce guide. Utilisez la roue à « l'heure des cadeaux » pour décider de l'ordre d'ouverture des cadeaux. Écrire le nom de chaque enfant sur le grand calque blanc. Les enfants gardent le cadeau qu'ils ont apporté jusqu'à ce que l'enfant dont c'est l'anniversaire tire leur nom.

**Les choix** peuvent être facilités quand des compromis sont nécessaires ou rendus plus amusants lorsqu'il y a trop d'options. Écrire le nom des participants au feutre à essuyage à sec sur le grand ou le petit calque. Faire tourner la roue pour déterminer qui va sélectionner l'émission TV, le jeu électronique, etc. suivant(e). Placer des images, des photos ou de petits objets directement sur la plate-forme de la roue et faire tourner pour décider quelle friandise manger après l'école, que porter pour aller à l'école ou qui inviter à jouer à la maison.

**Jouer à tour de rôle** permet de varier les choix. Utiliser l'All-Turn-It® Spinner pour participer chacun à tour de rôle à une activité amusante (marquer des paniers au basketball, faire des bulles, projeter de l'eau) en écrivant le nom de chaque enfant sur le grand calque blanc. Les participants (peut-être la personne souffrant d'une invalidité) font tourner la roue pour déterminer qui passe ensuite.

**Se faire aider par des copains** est plus facile quand un élément de surprise est lié au travail à effectuer. Écrire le nom d'une tâche ou placer une photo représentative sur des sections du grand calque blanc. Chaque participant fait tourner la roue pour connaître sa tâche assignée.

## Stratégies de réussite

Les suggestions suivantes ont été recueillies auprès d'enseignants, de thérapeutes, de familles et de prestataires de soins qui ont utilisé l'All-Turn-It® Spinner à la maison, à l'école et en communauté :

1. Limiter le nombre de joueurs ou d'équipes pour réduire les temps d'attente et faire se dérouler le jeu à une bonne cadence. De nombreuses personnes suggèrent un maximum de quatre joueurs/équipes.
2. Impliquer un mélange de joueurs avec différentes aptitudes dans un même jeu. Il sera plus facile d'assigner une variété de rôles dans cette situation et l'interaction et la communication entre tous les participants seront probablement stimulées.
3. Ajouter un élément de suspense ou de surprise aux jeux pour capter et maintenir l'attention des participants. Certaines personnes utilisent une aide à la communication à sortie vocale pour ajouter des effets sonores (par ex., ovations de foule lors d'un coup gagnant). Les jetons Turn About sont une autre option (voir les instructions séparées dans cette notice de jeu).

4. Modifier les règles si nécessaire pour que le jeu se déroule plus vite ou plus facilement. Les enfants aiment naturellement inventer leur propres règles et constituent une bonne ressource pour trouver des manières d'impliquer les participants avec des aptitudes différentes.
5. Trouver des manières d'inciter à une participation plus active durant la partie. Par exemple, si la partie exige une carte de score, en faire des copies pour que chaque joueur puisse suivre son score durant la partie. Faire passer l'All-Turn-It® Spinner pour qu'il soit accessible à chaque joueur quand c'est son tour de jouer.

# All-Turn-It® Spinner

Produkt-handbuch



AbleNet®

---

## Einführung

Der All-Turn-It® Spinner Spielwürfel ermöglicht Kindern und Erwachsenen mit unterschiedlichen Fähigkeiten, bei vielen verschiedenen interaktiven Spielen mitzumachen. Im Lieferumfang sind ein Würfelschablonensatz und separate Spielanweisungen für zahlreiche Spiele und Aktivitäten, u. a. auch für im Handel erhältliche Brettspiele, enthalten. Zusätzliche All-Turn-It Spinner Spielepakete können bei AbleNet, Inc. bestellt werden, entweder auf der Website [ablenetinc.com](http://ablenetinc.com) oder telefonisch unter der Nummer +1 800-322-0956 (USA und Kanada) oder +1 651-294-2200.

## Komponenten des All-Turn-It Spinner Spielwürfels (siehe Abbildung 1):

- Spinner-Drehgehäuse mit integriertem Taster und Anschlussbuchse für externen Schalter/Sensor.
- Große Schablone
- Kleine Schablone
- Drehstift und Zeiger
- Abnehmbare, 17,8 cm große, transparente Kunststoffscheibe (bedeckt die kleine Schablone und den Zeiger)
- Batteriefach für 2 Babyzellen C / LR14 (nicht enthalten)
- Ein Boardmarker-Stift (nicht abgebildet)

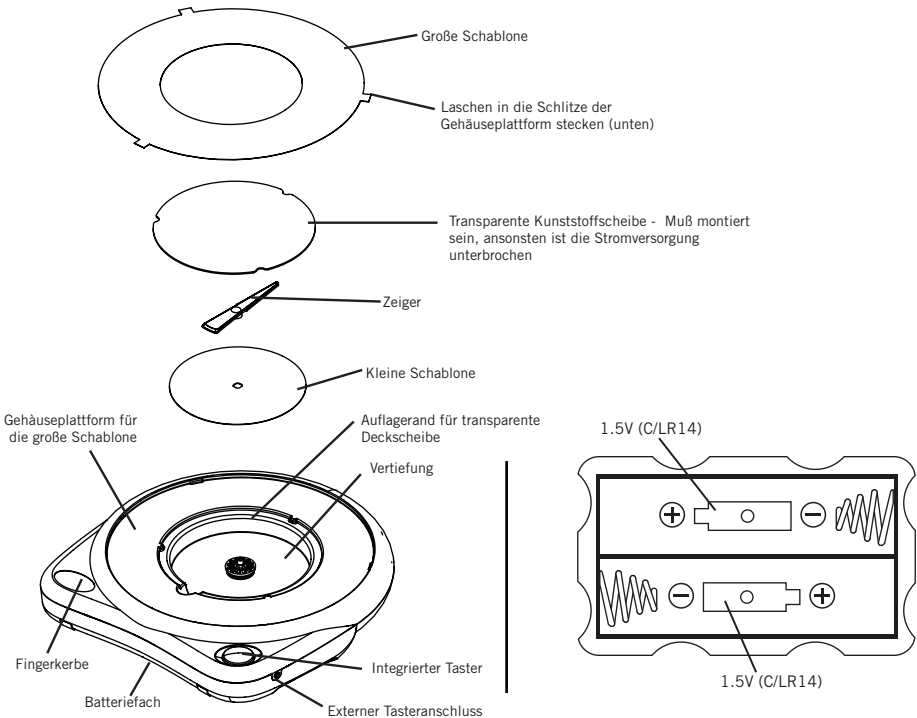


Abbildung 1.

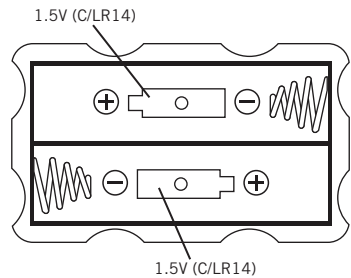


Abbildung 2.

## Batteriefach Geräterückseite

1. Schrauben von der Batterieabdeckung entfernen
2. Zwei C-Batterien in das Batteriefach einlegen
3. Abdeckung wieder einsetzen und anschrauben.

*\*Hinweis: Mischen Sie nicht alte und neue, wiederaufladbare und nicht wiederaufladbare oder alkalische und nicht-alkalische Batterien. Nicht wiederaufladbare Batterien dürfen nicht aufgeladen werden. Erschöpfte Batterien müssen aus dem Gerät entfernt werden. Die Stromkontakte dürfen nicht kurzgeschlossen werden. Akkus müssen vor dem Aufladen aus dem Gerät entfernt werden. Akkus dürfen nur unter Aufsicht Erwachsener aufgeladen werden.*

## Positionierung der Schablonen

1. Die transparente Kunststoffscheibe wie oben beschrieben abnehmen.
2. Die kleine Schablone auf den Kunststoffdrehstift stecken.  
Das viereckige Loch in der Mitte der Schablone muss richtig auf dem viereckigen Teil des Drehstiftes sitzen.
3. Den Zeiger und die transparente Kunststoffscheibe wieder anbringen (fest aufdrücken, bis der Zeiger mit einem Klickgeräusch einrastet).
4. Die große Schablone auf dem Gerät anbringen. Dazu die drei Laschen ausrichten und in die entsprechenden Schlitze stecken.

*Hinweis: Wird nur die große Schablone verwendet, sollte die leere Seite der kleinen Schablone verwendet werden, um einen Hintergrundkontrast für den Zeiger zu erhalten.*

## Aktivieren des All-Turn-It® Spinner

Zum Drehen des Pfeils und der kleinen Schablone drücken die Spieler den integrierten Taster. Es kann auch ein externer Taster verwendet werden, der an der Buchse an der Seite des Gerätes eingesteckt sein muss.

## Verwendung eines externen Tasters

Für Spieler, für die ein Zugriff auf den internen Taster schwierig ist, kann ein externer Taster verwendet werden. Auch bei mehreren Spielern kann durch einen externen Taster der Zugriff erleichtert werden. Somit kann der Taster unter den Spielern weitergereicht werden, ohne das Gerät bewegen zu müssen.

1. Den gewünschten Taster mit einem 3,5-mm-Stecker an der Buchse an der Seite des Geräts einstecken.
2. Anschließend kann der externe Taster gedrückt werden, um den Zeiger und die kleine Schablone zu drehen.

*Hinweis: Der Zeiger dreht sich für eine kurze, werkseitig voreingestellte Zeit. Durch schnelles wiederholtes Drücken oder Gedrückthalten des Tasters kann der Spieler den Ausgang seiner Drehung nicht beeinflussen. Auch in der kurzen Verzögerungszeit nach dem Anhalten des Zeigers kann durch erneutes Drücken des Tasters kein erneutes Drehen des Zeigers bewirkt werden. Dadurch soll eine ausreichende Zeit eingeräumt werden, in der jeder Spieler den Ausgang seiner Drehung ablesen kann.*

## Verwendung des Ständers

Herausziehen Beinen von hinten von All-Turn-It® Spinner in aufrechter Position platzieren.

## Tipps für die Fehlerbehebung

Bei gestörter Funktion des All-Turn-It Spinner Spielwürfels sollte Folgendes geprüft werden:

1. Sicherstellen, dass die Batterien richtig eingelegt wurden: Pluspol (+) und Minuspol (-) sind auf die entsprechenden Kennzeichnungen im Batteriefach ausgerichtet.
2. Sicherstellen, dass beide Enden jeder Batterie die Metallkontakte im Batteriefach berühren und dass die Batterien nicht entladen sind.
3. Sicherstellen, dass die kleine Schablone richtig auf dem Drehstift sitzt und der Zeiger bis zum Anschlag nach unten gedrückt ist. Beim richtigen Einrasten ist ein Klickgeräusch zu hören.
4. Darauf achten, dass keine Hindernisse vorhanden sind, welche die richtige Platzierung oder Funktion des Zeigers und Drehstifts beeinträchtigen könnten.

*Hinweis: Unter den folgenden Umständen sind wahrscheinlich die Batterien schwach: wenn sich der Zeiger langsamer oder für eine kürzere Zeit dreht. wenn zwischen den Aktivierungen zunehmend länger gewartet werden muss.*

## Geld-Zurück-Garantie

AbleNet garantiert während 30 Tagen ab Kaufdatum die Rückerstattung des Kaufpreises, wenn das Produkt nicht Ihre Erwartungen erfüllt. Für eine Rückerstattung müssen sich die Produkte im Neuzustand befinden. Setzen Sie sich mit AbleNet oder einem autorisierten Wiederverkäufer in Verbindung, bevor Sie ein Produkt zurücksenden.

## Hinweise zur Garantie/Reparatur/Rücksendung

AbleNet bietet eine zweijährige beschränkte Garantie für diese Produkte. Ausführliche Garantieinformationen finden Sie auf unserer Website unter [www.ablenetinc.com](http://www.ablenetinc.com)

### Für weitere Informationen zu AbleNet Produkten und Dienstleistungen wenden Sie sich bitte an:

AbleNet, Inc., Minneapolis/St. Paul, MN

800-322-0956 (USA und Kanada)

Internet: [www.ablenetinc.com](http://www.ablenetinc.com) © 2012 AbleNet, Inc. Alle Rechte vorbehalten.

### WARNUNG:

**ERSTICKUNGSGEFAHR** - Kleinteile.

Nicht geeignet für Kinder unter 3 Jahren.





# Anleitung zum Verwenden des Spielwürfel-Schablonensatzes



## Spielwürfel-Schablone

Der Satz umfasst zwei Spielwürfel-Schablonen: eine große ringförmige Schablone und eine kleine runde Schablone. Jede Schablone enthält sechs Segmente, welche die sechs Seiten eines Spielwürfels darstellen. Bei gemeinsamer Verwendung wirken die beiden Schablonen genauso wie das Schütteln eines Würfels. Ob eine oder beide Würfelschablonen benötigt werden, ist je nach Spiel oder Aktivität unterschiedlich.

## Blanko-Schablone

Die Rückseite jeder Würfelschablone ist leer. In den jeweiligen Abschnitten zu Matching-Spielen, Quizspielen und anderen Aktivitäten finden Sie Anregungen für die Erstellung Ihrer eigenen Spiele zur Unterhaltung und zum Lernen.

Die Blanko-Schablone hat eine glänzende, beschreibbare, abwischbare Oberfläche. Wenn Sie zum Erstellen Ihrer „endgültigen“ Schablone einen Boardmarker-Stift verwenden, können Sie direkt auf die Schablone schreiben oder zeichnen. Mit farbigen Boardmarker-Stiften kann die Schablone interessant gestaltet und am Spielende einfach mit einem feuchten Tuch abgewischt werden. Außerdem können Sie Bilder, Karten, Fotos und andere leichte Objekte auf der Schablone anbringen. Verwenden Sie dazu doppelseitiges Klebeband oder ein kleines Stück wiederverwendbares Haftband. Mit Abziehbildern und Symbolen lassen sich ebenfalls professionell aussehende Schablonen erstellen.

# Was Sie zum Spielen brauchen

Der All-Turn-It® Spinner kann als einfache Alternative zum Schütteln eines Würfels oder Auswählen einer Zufallszahl verwendet werden. Zum Spielen brauchen Sie das Spiel Ihrer Wahl und den All-Turn-It Spinner mit der Spielwürfel-Schablone. Für ein Spiel, das zwei Würfel oder zwei Zufallszahlen von 1 bis 12 erfordert, müssen beide Schablonen (die große und die kleine) verwendet werden. Soll nur das Rollen eines Würfels bzw. die Wahl einer Zufallszahl von 1 bis 6 simuliert werden, kann entweder die große oder die kleine Schablone verwendet werden.

## Verwendung mit im Handel erhältlichen Spielen

Der Spielwürfel-Schablonensatz kann mit vielen verschiedenen im Handel erhältlichen Brettspielen verwendet werden, bei denen einer oder zwei Würfel oder ein Glücksrad (Spinner) verwendet werden. In Tabelle 1 sind einige bekannte Brettspiele aufgeführt, die Würfel oder Glücksräder verwenden.

Spiel	Anzahl der Würfel
Backgammon	2 Würfel
Clue® (Cluedo) von Parker Brothers	1 Würfel
Life® (Spiel des Lebens) von Milton Bradley	Glücksrad mit 10 Feldern (kann mit 2 Würfeln simuliert werden)
Monopoly® von Parker Brothers	2 Würfel
Parcheesi® (Pachisi) von Milton Bradley	2 Würfel
PayDay® (Zahltag) von Parker Brothers	1 Würfel
Sorry® (Mensch ärgere dich nicht) von Parker Brothers	2 Würfel
Trivial Pursuit® von Parker Brothers	1 Würfel
Trouble® von Milton Bradley	2 Würfel
Yahtzee® von Milton Bradley	5 Würfel (3 Drehungen entsprechen 1 Zug)

Tabelle 1. Beispiele von im Handel erhältlichen Spielen, und die dazu verwendete Anzahl von Würfeln.

Bei einigen im Handel erhältlichen Spielen müssen zur Bestimmung des Zuges eines Spielers Farben oder Bilder übereinstimmen. Viele dieser Spiele lassen sich leicht unter Verwendung des All-Turn-It Spinner spielen, wobei Sie Ihre eigene Schablone erstellen. Hier sind zwei Beispiele aufgeführt:

## Candyland® Brettspiel

Um dieses Spiel spielen zu können, muss das Milton Bradley Brettspiel Candyland separat erworben werden.

Trennen und mischen Sie die 12 zweifarbigen Karten, sechs Bildkarten und sechs einfarbigen Karten aus dem Candyland Spiel. Legen Sie die Karten, wie in dem Diagramm unten gezeigt, auf die Spinner-Plattform:

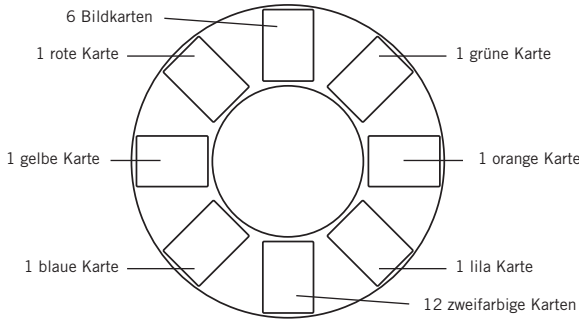


Abbildung 1. Auslegen der Karten für das Candyland Spiel.

Folgen Sie den Anweisungen, die dem Candyland Spiel beiliegen, wobei die Spieler jedoch den Spinner drehen, anstatt eine Karte zu ziehen. Wenn der Zeiger auf einer einfarbigen Karte landet, bewegt der Spieler seinen Spielstein auf dem Spielbrett zu dem nächsten Feld, das die Farbe dieser Karte hat. Landet der Zeiger auf einer zweifarbigen oder Bildkarte, nimmt der Spieler die oberste Karte vom Stoß und bewegt seinen Spielstein dementsprechend. Wenn ihr Zug vorbei ist, legen die Spieler die Karte wieder ganz unten in den Stoß.

## Twister® Spiel

Um dieses Spiel spielen zu können, muss das Milton Bradley Twister Spiel separat erworben werden.

Erstellen Sie eine Schablone gemäß dem Diagramm in Abbildung 2. Malen Sie die Segmente der großen Blanko-Schablone mit einem Boardmarker-Stift farbig aus oder heften Sie farbiges Papier oder Aufkleber auf die Segmente. Spielen Sie das Spiel gemäß den beiliegenden Anweisungen und verwenden Sie den All-Turn-It Spinner zum Bestimmen der Kombination von Körperteilen und Farben.

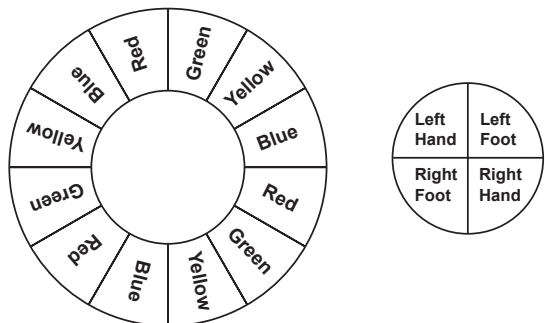


Abbildung 2. Muster einer Schablone für Twister

# Würfelspiele

Neben den Brettspielen gibt es auch zahlreiche Würfelspiele, die viel Spaß machen. Unten sind drei Würfelspiele als Beispiel aufgeführt. Für Informationen über andere Würfelspiele besuchen Sie Ihre örtliche Bibliothek oder suchen Sie online nach Anregungen.

**Chicago-Würfelspiel:** Ziel dieses Spieles ist das Erreichen der höchsten Punktezahl am Ende von zwölf Spielrunden.

Chicago wird mit zwei Würfeln gespielt. Es werden also beide Schablonen (die große und die kleine) benötigt. Schreiben Sie den Namen der Spieler auf den Spielblock (siehe Beispiel in Abbildung 3). Die Spieler müssen ihre Punkte der Reihe nach von 2 bis 12 erzielen. In der ersten Runde müssen 2 Punkte erzielt werden. In jeder Runde erhöht sich die zu erzielende Punktezahl um 1, d. h. sie steigt von 2 auf 3 auf 4 usw. bis 12.

In jeder Runde hat jeder Spieler eine Gelegenheit, das Rad zu drehen und die richtige Punktezahl für die jeweilige Runde zu erreichen. Die notwendige Punktezahl kann erzielt werden durch direktes Landen des Zeigers auf der richtigen Zahl, oder durch Zusammenzählen der Punkte beider Würfel. Wenn z. B. 5 Punkte benötigt werden, kann eine Kombination aus 4 und 1, 3 und 2 oder 5 und eine beliebige andere Zahl gewürfelt werden. (Hinweis: Bei Pasch (d. h. zweimal die gleiche Augenzahl) werden keine extra Punkte vergeben. Wenn ein Spieler die benötigte Punktezahl nicht erreicht, wird für diese Runde eine „0“ auf dem Spielblock eingetragen.

## Chicago Spielblock (Beispiel)

Name	2	3	4	5	6	7	8	9	10	11	12	Summe
Tom	2	0	0	0	6	0	8	0	0	11	0	27
Jane	0	0	4	5	6	7	8	0	19	0	0	40
Annie	0	3	0	5	6	7	8	9	0	11	0	49

Abbildung 3. Beispiel für einen Spielblock für das Würfelspiel Chicago. Die höchste Punktezahl am Ende der Runden gewinnt.

**Matterhorn-Würfelspiel:** Ziel dieses Spieles ist es, der erste Spieler zu sein, der die Zahlen 1 bis 12 der Reihe nach würfelt/dreht. Es werden zwei Würfel verwendet - also werden die große und die kleine Schablone benötigt. Des Weiteren wird für jeden Spieler ein Spielblock benötigt (siehe Beispiel in Abbildung 4). Beim Matterhorn müssen die Punkte der Reihe nach erzielt werden und sie können einzeln oder in Kombinationen verwendet werden, um mehr als eine Zahl zu erzielen. Wenn ein Spieler z. B. beim ersten Wurf/Drehen 1 und 2 erzielt, erhält er die 1, die 2 und auch die 3 (1+2). Erzielt ein Spieler beim ersten Wurf/Drehen 1 und 5, erhält er nur die 1. Jeder Spieler darf pro Zug einmal drehen. Der erste Spieler der ganz oben auf dem Matterhorn angelangt und wieder ganz herabgestiegen ist, hat gewonnen.

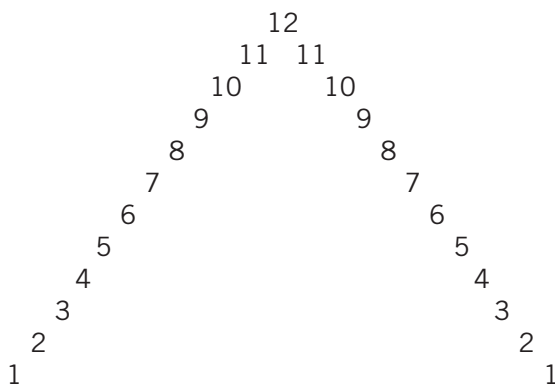


Abbildung 4. Beispiel für einen Spielblock für das Würfelspiel Matteredhorn.

**Wipe Out!:** Das Ziel dieses Spieles ist es, als erster 100 Punkte zu erreichen. Wipe Out! wird mit zwei Würfeln gespielt. Es werden also beide Schablonen (die große und die kleine) benötigt. Jeder Spieler kann den Würfel so oft drehen wie er/sie will, wenn er/sie dran ist, und dabei laufend die erzielten Punkte addieren. Wenn ein Spieler jedoch vor Beendigung seines Zugs auf einer 1 landet, verliert er/sie alle bisher bei diesem Zug erzielten Punkte. Landet ein Spieler auf einem 1er-Paar gilt das als „Wipe Out“ und er/sie verliert alle bisher im gesamten Spiel erzielten Punkte; d. h. er/sie fängt wieder bei 0 an.

Das Spiel endet, wenn ein Spieler 100 Punkte erreicht oder überschreitet, wobei jedoch alle Spieler die gleiche Anzahl Züge im Spiel erhalten. Wenn in einem Spiel mit drei Spielern z. B. Spieler A als erstes 100 Punkte erreicht, haben Spieler B und C noch einen letzten Zug und die Chance, 100 Punkte zu übertreffen. Der Spieler mit der höchsten Punktezahl gewinnt.

## Zahlenspiele

Verwenden Sie den Würfelschablonensatz, um verschiedene Mathematikkonzepte zu lehren oder zu vertiefen. Die Spieler können die Zahlen, auf denen sie landen, addieren, subtrahieren, multiplizieren oder dividieren. Es gibt mehrere Varianten, die bei dieser Aktivität verwendet werden können.

**Variante 1:** Verwenden Sie die große und die kleine Schablone zusammen. Jeder Spieler oder jedes Team darf pro Zug zweimal drehen. Beim ersten Drehen addieren die Spieler die Augenzahl beider Würfel; beim zweiten Drehen subtrahieren die Spieler die zwei Augenzahlen, um eine neue Zahl zu erhalten. Anschließend multiplizieren die Spieler die erste Zahl mit der zweiten, um ihre Punktezahl für diese Runde zu erhalten. Der Spieler oder das Team mit der höchsten Punktezahl nach zehn Runden gewinnt.

**Variante 2:** Verwenden Sie die große Würfelschablone und die kleine Blanko-Schablone. Unterteilen Sie die kleine Blanko-Schablone in vier Segmente und schreiben Sie in jedes Segment ein mathematisches Zeichen (+, -, x oder ÷). Die Spieler drehen zwei Mal pro Zug und erhalten pro Drehung eine Zahl und ein Zeichen. Anschließend führen Sie die gewählten Funktionen aus und addieren

dann die zwei Funktionen, um ihre Punktezah zu bestimmen. Beispiel: Wenn Susanne beim ersten Drehen auf 10 und + landet und dann beim zweiten Drehen eine 2 und das Zeichen  $\div$  erhält, beträgt ihre Punktezah 17:  $(10 + 2) + (10 \div 2) = 17$ . Falls eine einfachere Spielform gewünscht wird, kann nur eine mathematische Funktion oder nur ein Additions- oder Subtraktionszeichen auf der kleinen Schablone verwendet werden.

## Matching-Spiele

Sie können den All-Turn-It® Spinner mit Blanko-Schablonen verwenden, um Ihre eigenen Matching-Spiele zu kreieren. Sammeln Sie Sätze von Bildern oder Fotos für die Verwendung in Matching-Spielen. Die Bilderpaare können identisch sein oder bestimmte Objekte enthalten, die „zusammenpassen“, wie z. B. ein Baseball und ein Schläger. Unterteilen Sie eine leere Schablone in eine beliebige Anzahl von Segmenten. (Tipp: die große Schablone eignet sich normalerweise am besten für Matching-Spiele). Legen Sie ein Bild jedes zusammenpassenden Paares auf die Schablone und verteilen Sie die restlichen Bilder unter den Spielern oder Teams. Die Spieler oder Teams dürfen abwechselnd drehen. Sobald der Zeiger zum Stillstand kommt, legt der Spieler oder das Team das dazu passende Bild vor sich auf den Tisch. Der erste Spieler oder das erste Team, der/das alle Bilder abgelegt hat, gewinnt.

Sie können ihre eigenen Spielbretter erstellen, indem Sie mehrere Bilder auf ein Blatt Papier kopieren. Jeder Spieler muss eine einmalige Kombination von Bildern erhalten. Schneiden Sie dann die dazu gehörenden fotokopierten Bilder aus und legen Sie diese auf die Schablone. Die Spieler drehen den Spinner und setzen dann einen Chip oder einen Spielstein auf das entsprechende Bild auf dem vor ihnen liegende Spielbrett. Der erste Spieler oder das erste Team, der/das alle Bilder mit einem Spielstein bedeckt hat, gewinnt. Aufkleber, die in Buchläden und Bürowarengeschäften erhältlich sind, eignen sich ebenfalls sehr gut für diese Variante.

## Quizspiele

Unterteilen Sie die große und die kleine Blanko-Schablone mithilfe eines Boardmarker-Stiftes in eine beliebige Anzahl von Segmenten. In die Segmente der großen Schablone schreiben Sie dann Buchstaben und in die Segmente der kleinen Schablone schreiben Sie Kategorien (Vorschläge: Sportarten, Cartoons, Städte, berühmte Leute usw.). Sie können auch Symbole oder Bilder zur Darstellung der Kategorien verwenden. Die Spieler bzw. Teams drehen das Rad, um eine Kombination aus Buchstaben und Kategorie zu erhalten. Wenn ein Spieler oder Team innerhalb der festgelegten Zeitspanne eine Antwort hat (z. B. Name einer berühmten Person mit dem Anfangsbuchstaben G) erhält er/sie/es einen Punkt. Der Spieler oder das Team mit den meisten Punkten am Ende der Runde gewinnt.

## Weitere Aktivitäten

**Geburtstage** sind ein perfekter Anlass für Gruppenspiele wie die in dieser Anleitung beschriebenen. Der Spinner kann z. B. zum Zeitpunkt der Geschenkvergabe verwendet werden, um zu bestimmen, in welcher Reihenfolge die Geschenke geöffnet werden.

Dazu schreiben Sie den Namen jedes Kindes auf die große Blanko-Schablone. Die Kinder halten ihre mitgebrachten Geschenke, das Geburtstagskind dreht den Spinner und öffnet dann jeweils das Geschenk des Kindes, auf dessen Namen der Zeiger gelandet ist.

**Entscheidungen** lassen sich leichter treffen, wenn Kompromisse notwendig sind, bzw. sie machen mehr Spaß, wenn viele Alternativen vorhanden sind. Schreiben Sie die Namen aller Beteiligten mit einem Boardmarker-Stift auf die große oder kleine Blanko-Schablone. Drehen Sie den Spinner, um zu bestimmen, wer die nächste TV-Sendung oder das nächste Computerspiel auswählen darf usw. Legen Sie Bilder, Fotos oder kleine Objekte direkt auf die Spinner-Plattform und drehen Sie diese dann, um zu entscheiden, welchen Snack es nach der Schule geben wird, was zur Schule angezogen wird oder wer nach der Schule zum Spielen eingeladen werden darf.

**Abwechseln** ist eine gute Variante anstelle von Entscheidungen. Verwenden Sie den All-Turn-It Spinner®, um zu bestimmen, wer bei einer Aktivität als nächstes drankommt (z. B. wer als nächstes den Ball wirft, Luftblasen bläst, Wasser spritzt usw.). Dazu schreiben Sie die Namen der Kinder auf die große Blanko-Schablone. Die Teilnehmer (eventuell das Kind mit einer Behinderung) dreht dann den Spinner, um zu bestimmen, wer als nächstes drankommt.

**Helfende Hände** sind bereitwilliger, wenn die Arbeitszuteilung mit einem Überraschungselement verbunden ist. Schreiben Sie den Namen einer Aufgabe oder Arbeit auf die große Blanko-Schablone. Sie können auch Fotos oder Ausschnitte in den Segmenten anbringen. Die Personen drehen dann den Spinner, um ihre Aufgabe/Arbeit zu erhalten.

## Strategien für den Erfolg

Die folgenden Vorschläge stammen von Lehrkräften, Therapeuten, Familien und Betreuern, die den All-Turn-It® Spinner zu Hause, in der Schule und in kommunalen Einrichtungen verwenden:

1. Halten Sie die Zahl der Teilnehmer oder Teams in Grenzen, damit die Wartezeiten nicht zu lange sind und ein optimales Spieltempo aufrechterhalten werden kann. Es sollten generell nicht mehr als vier Spieler/Teams teilnehmen.
2. Beteiligen Sie Spieler mit unterschiedlichen Fähigkeiten am gleichen Spiel. Dadurch ist es einfacher, verschiedene Rollen zuzuweisen und diese Situation führt meistens zu mehr Interaktion und Kommunikation unter den Mitspielern.
3. Fügen Sie den Spielen ein Element der Spannung oder Überraschung hinzu, um die Aufmerksamkeit der Spieler zu gewinnen und zu halten. Es wurden zum Teil auch Sprachausgabegeräte/Kommunikationshilfen hinzugefügt, um Soundeffekte zu erzeugen (z. B. Jubel und Applaus eines Publikums für den glücklichen Sieger). Wir haben die „Turn About“-Spielsteine als weitere Option hinzugefügt (siehe separate Anleitung in diesem Spielepaket).

4. Ändern Sie ggf. die Regeln, damit das Spiel schneller oder leichter wird. Kinder „erfinden“ naturgemäß gerne ihre eigenen Regeln und sind somit eine gute Quelle für neue Möglichkeiten zur Beteiligung von Spielern mit unterschiedlichen Fähigkeiten.
5. Überlegen Sie sich Möglichkeiten für die Förderung einer aktiveren Beteiligung am Spiel. Wenn z. B. ein Spielblock für das Spiel benötigt wird, können Sie für jeden Spieler eine Kopie anlegen, damit jeder seine eigenen Punkte aufzeichnen und verfolgen kann. Der All-Turn-It® Spinner kann auch herumgereicht werden, damit jeder Spieler bei seinem Zug besseren Zugang hat.